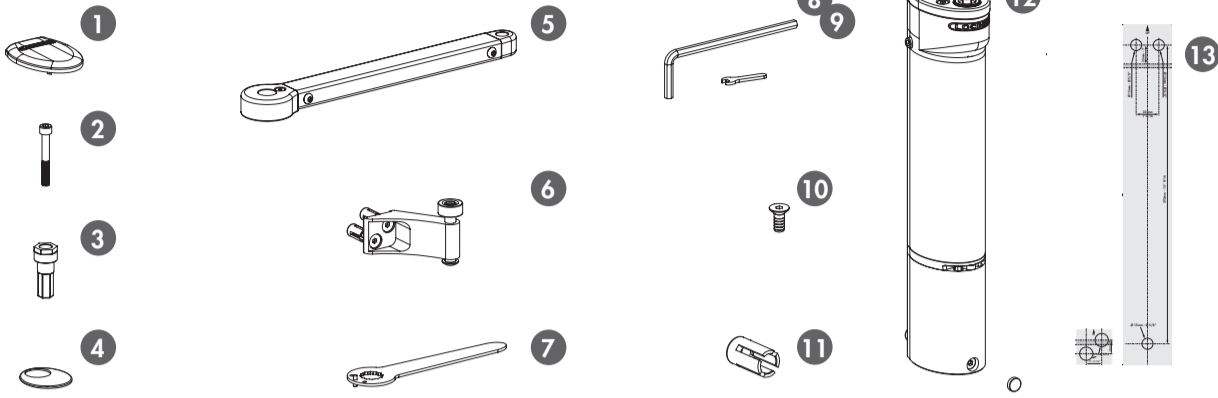


LOCINOX[®]

Let's make better fences together

VERTICLOSE-STD: INSTALLATION INSTRUCTION

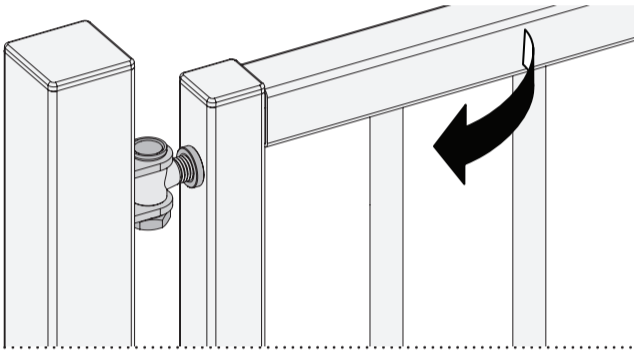
① Package content



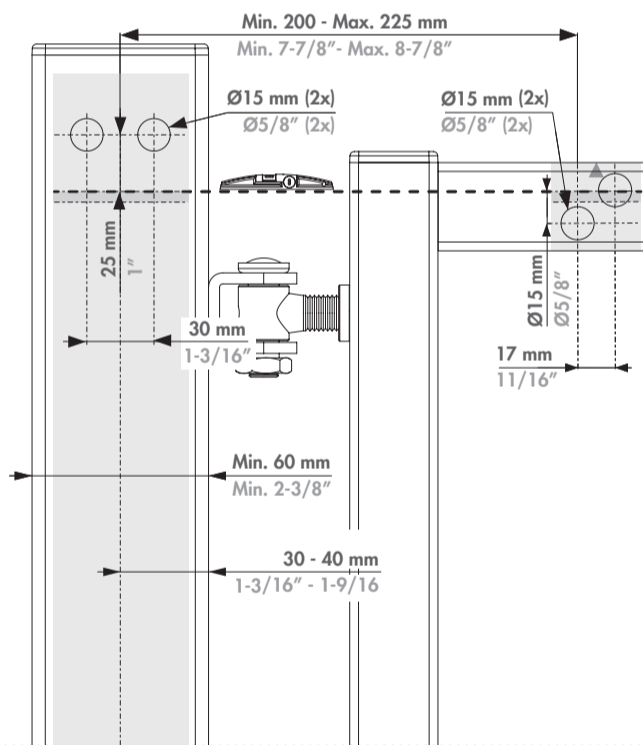
1	Top Cover	8	DIN0911 S5 Allen Key
2	DIN 0912IM8x60	9	Lociwrench 6 mm
3	Top Axis	10	Shear bolt
4	Gear cover	11	Quick-Fix Expander
5	VTC Assembly Slide	12	VTC and Ø14 bolt cap
6	Assembly Support	13	Drilling template
7	VTC Tension Key		

90°

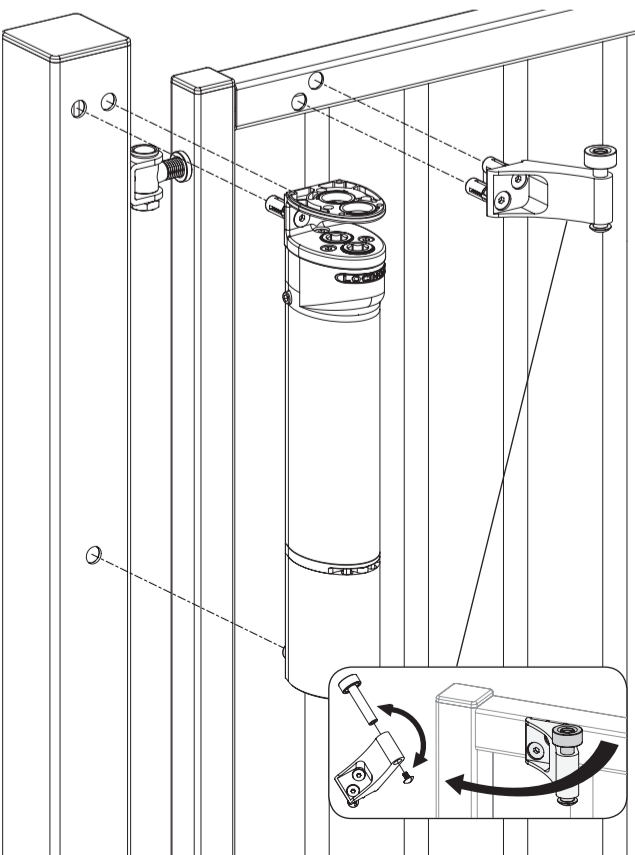
② Mounting situation



③ Drilling template

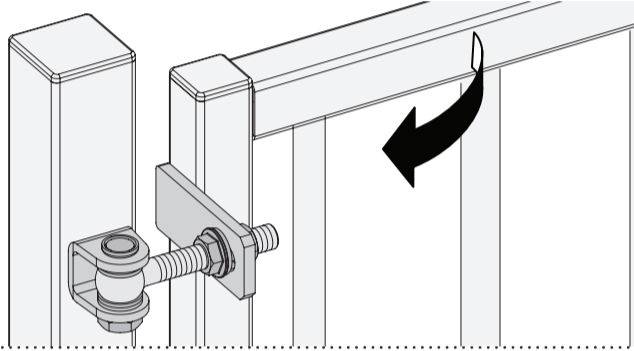


④ Gate closer installation

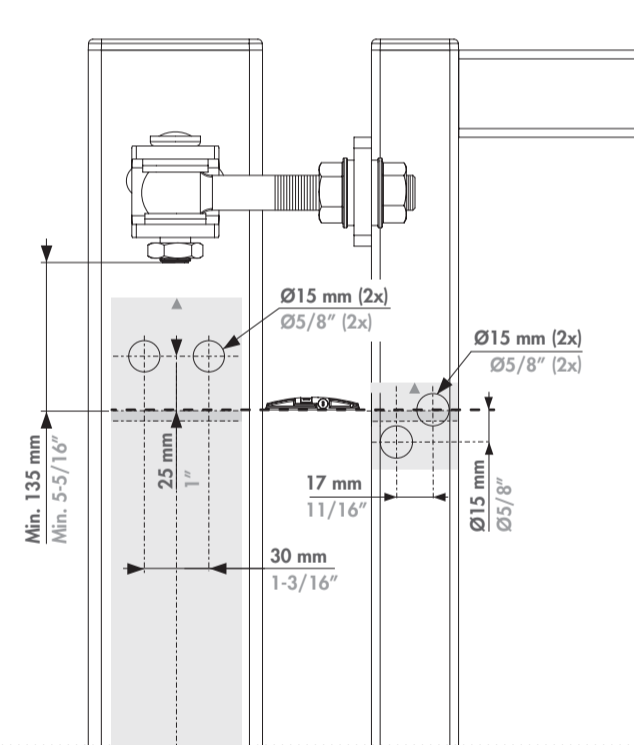


180°

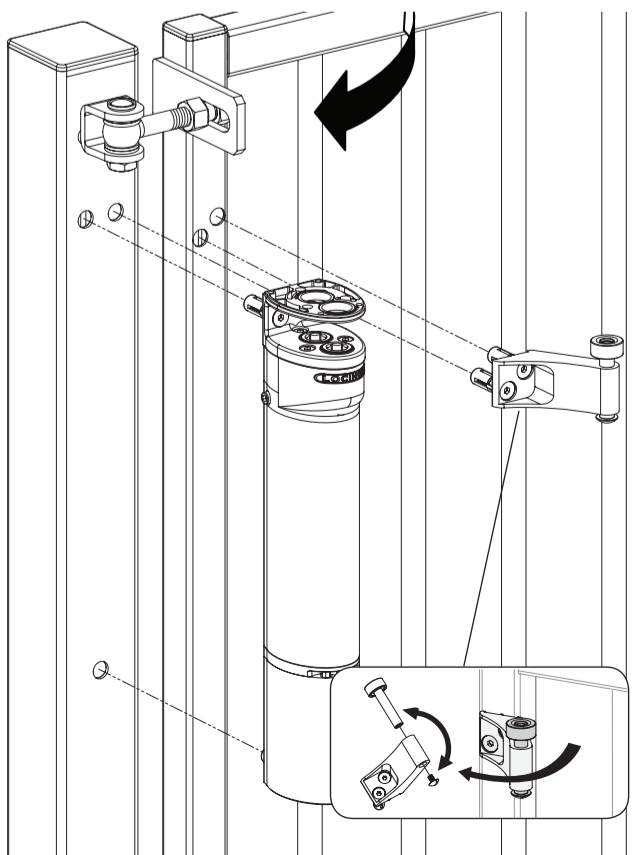
② Mounting situation



③ Drilling template

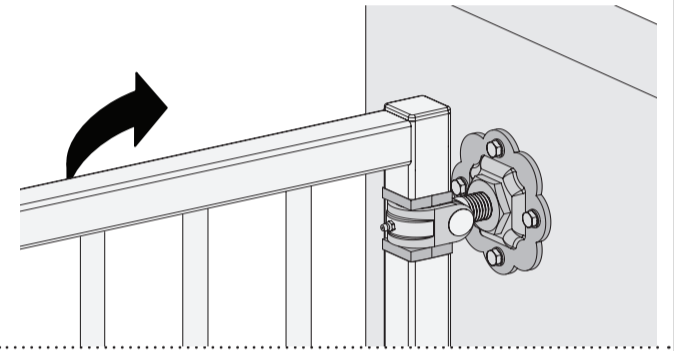


④ Gate closer installation

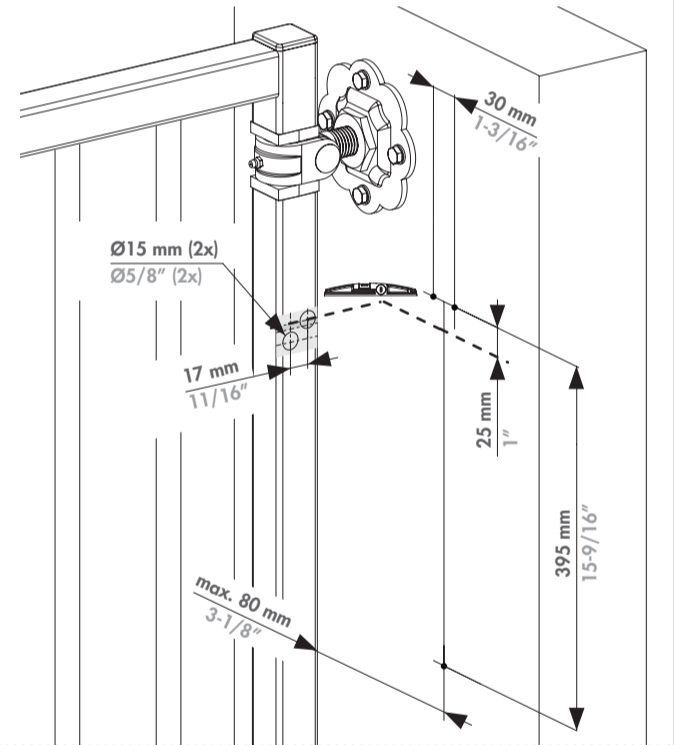


Wall / Mur / Mauer

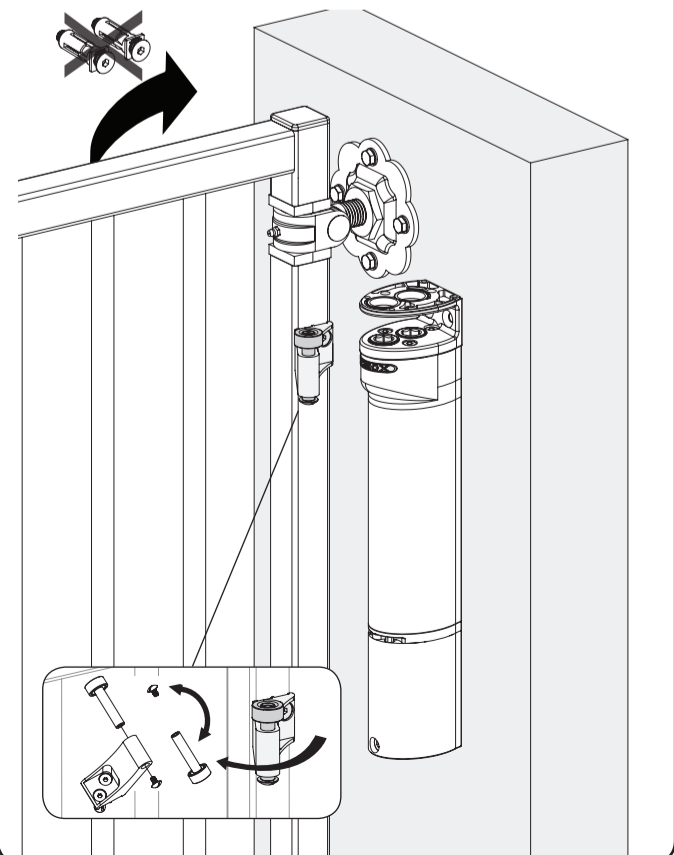
② Mounting situation



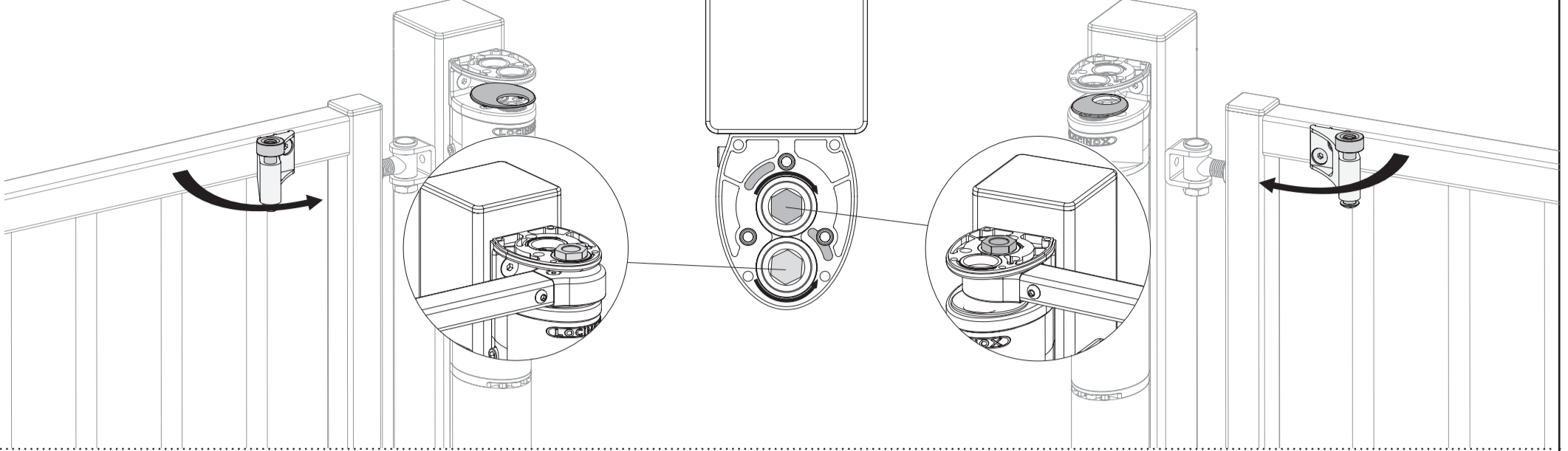
③ Drilling template



④ Gate closer installation

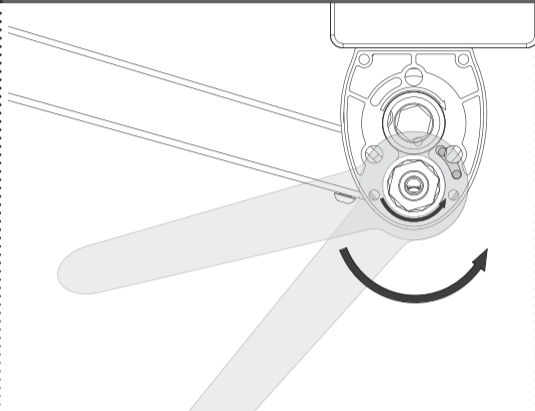
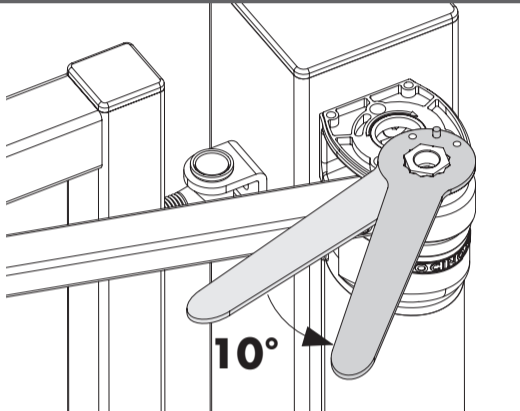


⑤ Gear cover Installation

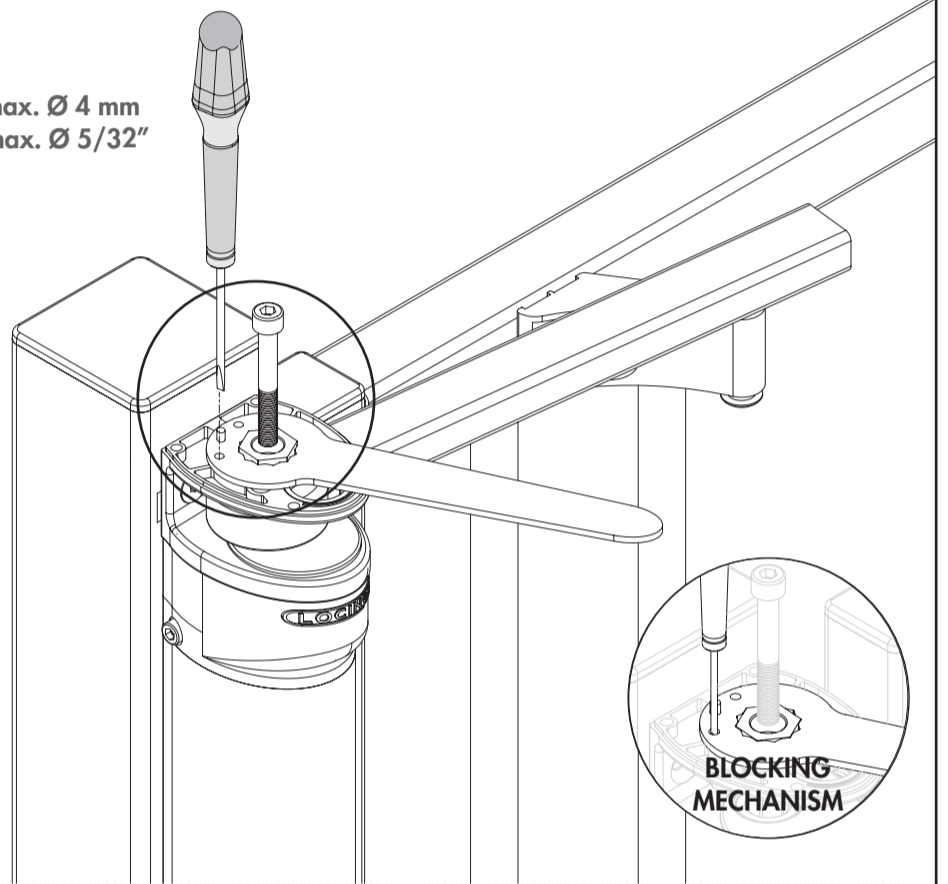


⑥ Pre-Tension

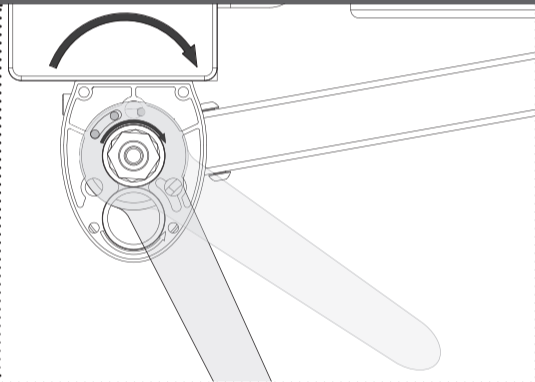
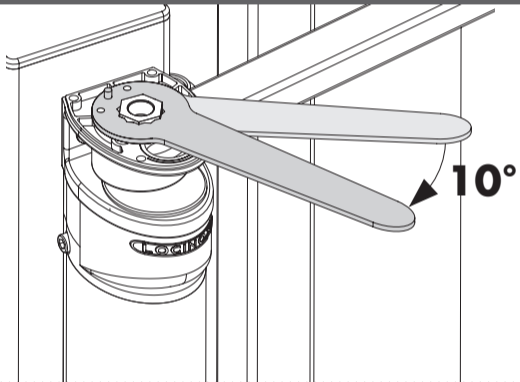
LEFT TURNING GATE



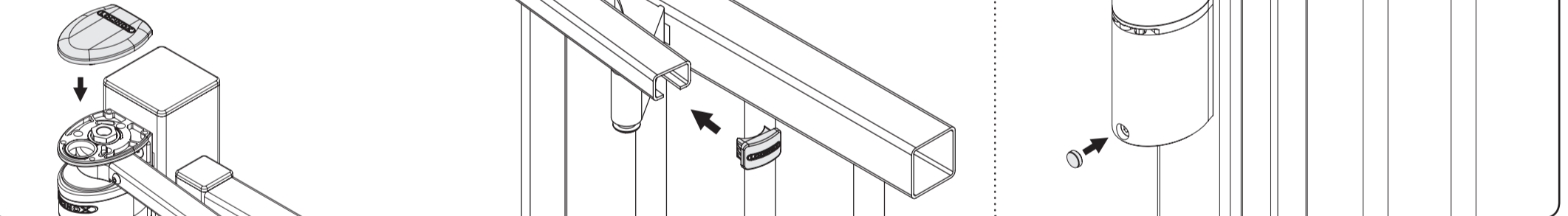
max. Ø 4 mm
max. Ø 5/32"



RIGHT TURNING GATE



⑦ Finalising the installation

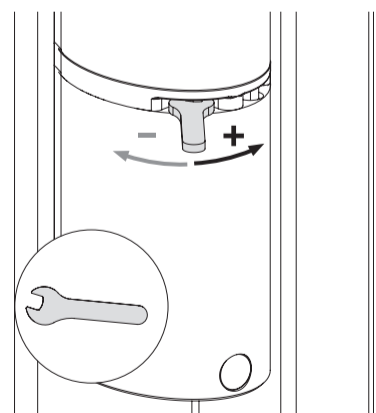
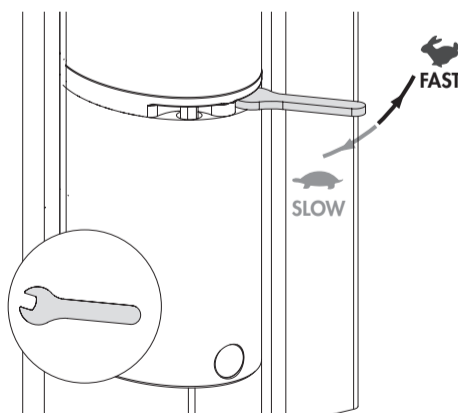
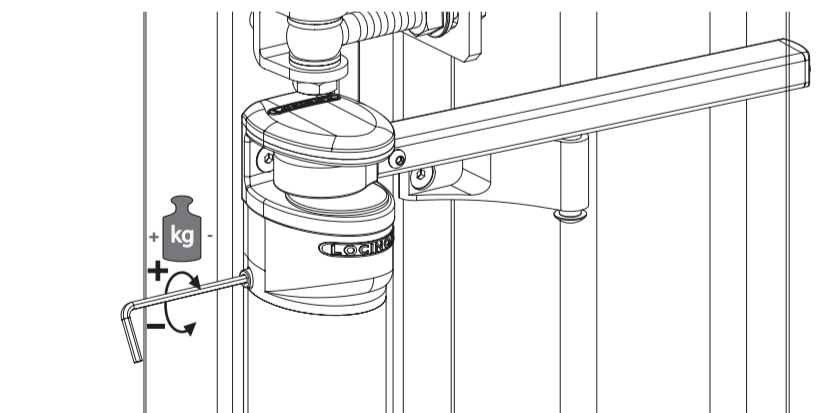


⑧ Adjustment settings

CLOSING FORCE

CLOSING SPEED

FINAL SNAP



⑨ In case of overload

